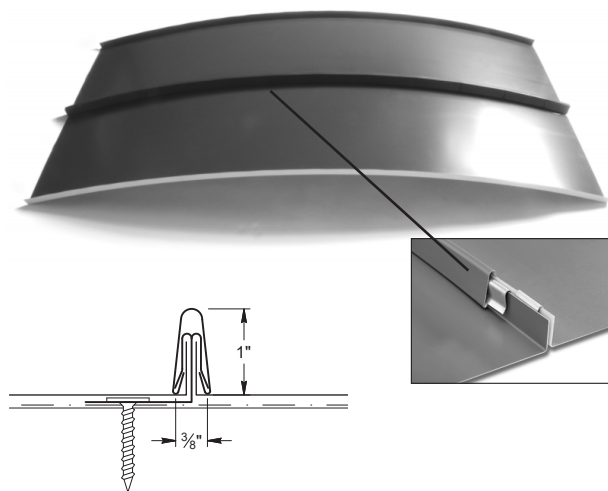
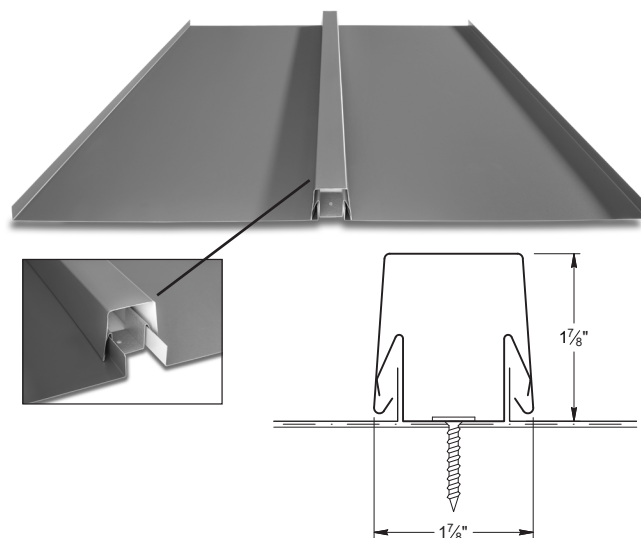


Narrow Batten Clip System:



T-Panel™ Standing Seam with a Narrow Batten is perfect for radius roofing projects. This panel gives you the flexibility to design buildings with unique characteristics that only a radius panel can provide.

Wide Batten Clip System:



T-Panel™ with Wide Batten is ideal for creating a clean, wide pan appearance. This look adds dimension to any building type and accomplishes an eccentric architectural effect.

T-PANEL KEY FEATURES

- T-Panel™: 24 & 22 gauge Tru-Gauge™, .032 Aluminum, 16 & 20 oz. copper
- Vertical interlocking applications: allows installation from both directions starting at any location
- Tapered panels available
- Standard panel lengths 2' to 60'
- 3:12 minimum pitch recommended
- Concealed fasteners: fasteners cannot leak
- Panel options: Striations, Accent Ribs, and Flat Pan

NARROW BATTEN KEY FEATURES

- T-Panel™ standard width: 15.125" & 19"
(Please inquire for other coverage options)
- Narrow Batten: fabricated in 24 gauge steel, .032" aluminum and 16 & 20 oz. copper
- Narrow Batten: 1" vertical rib
- Factory and field radius of roof panels and Narrow Battens down to 4' radius
- Full length Narrow Battens are roll formed
- Narrow Batten incorporates nicely with Easy-Lock™ standing seam panel
- UL Class A fire rated & UL Class 4 impact (hail) rated for use with Narrow Batten
- UL Construction No. 344, 397 & 397A for use with Narrow Batten

WIDE BATTEN KEY FEATURES

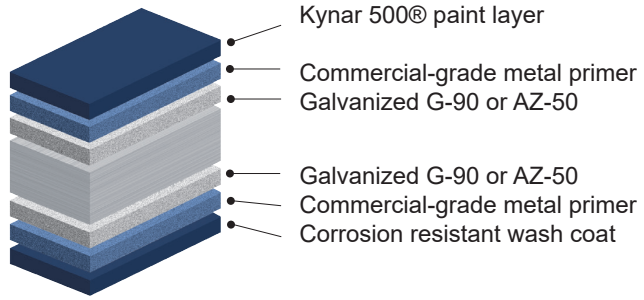
- T-Panel™ standard width: 16.125" & 20"
(Please inquire for other coverage options)
- Wide Batten: fabricated in 24 gauge steel, .032" aluminum and 16 & 20 oz. copper
- Wide Batten: 1-7/8" vertical rib
- Curving not available on Wide Batten profile
- Full length Wide Battens are roll formed
- Wide Batten incorporates nicely over Versa-Span™ standing seam panel *(separate clip required)*
- UL Class A fire rated & UL Class 4 impact (hail) rated for use with Wide Batten
- UL Construction No. 344, 397 & 397A for use with Wide Batten

MATERIAL SPECIFICATIONS

- 24 gauge Kynar 500® Painted Steel .0236" (Thickness prior to painting) G-90 Galvanized or AZ-50
- 22 & 24 gauge bare Zincolume® Plus AZ-55 (No finish warranty – 25 yr. perforation warranty)
- 22 gauge Kynar 500® Painted Steel .029" (Thickness prior to painting) G-90 Galvanized or AZ-50
- .032" Kynar 500® Painted Aluminum
- 16 and 20 ounce Copper (Please inquire)
- 22 gauge Rusteel™ Plus (A606)
- Kynar 500® and substrate testing data available (See website)

KEY FEATURES

- 21 Standard Colors, 5 Metallic Colors and 4 Specialized Materials
- Kynar 500® Paint System - the ultimate in exterior durability and color retention
- "Cool" color pigments are specially designed to reflect infrared light, reducing heat gain to dwelling, and conform with ENERGY STAR® criteria
- Superior Quality, two-coat, 70% resin finish, applied at a 1 mil. thickness
- 40-year residential paint warranty
- 20 and 30 year commercial paint warranty: Contact TMP for warranty specifications

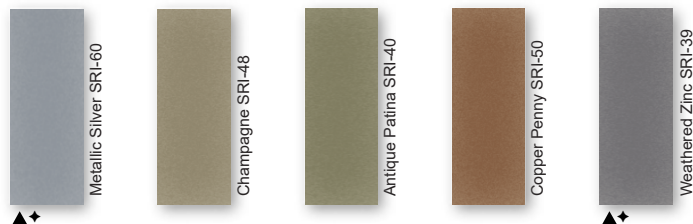


40-Year Residential/20 and 30 Year Commercial Manufacturer's Limited Warranty

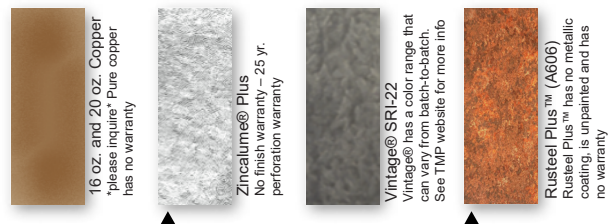
STANDARD COOL KYNAR 500® COLORS



PREMIUM METALLIC COOL KYNAR 500® COLORS



SPECIALIZED MATERIAL



These printed chips provide a close representation of the colors.

Metal samples are available upon request. Coatings are low gloss 10-15% sheen. SRI = Solar Reflective Index. SRI values listed above are in accordance with ASTM E1980 and are based on actual testing.***Oil Canning is not a cause for material rejection***

Standard Panel with Narrow Batten				
Width	Panel	Color	Batten-2.5625"	LBS FT
15-1/8"	1.34	Kynar	0.21	1.55
19"	1.65	Kynar	0.21	1.86

Standard Panel with Wide Batten				
Width	Panel	Color	Batten-5.687"	LBS FT
16-5/6"	1.34	Kynar	0.46	1.80
20-3/16"	1.65	Kynar	0.46	2.11

▲ = 22 gauge ◆ = .032 aluminum



(Inquire for other panel sizes)