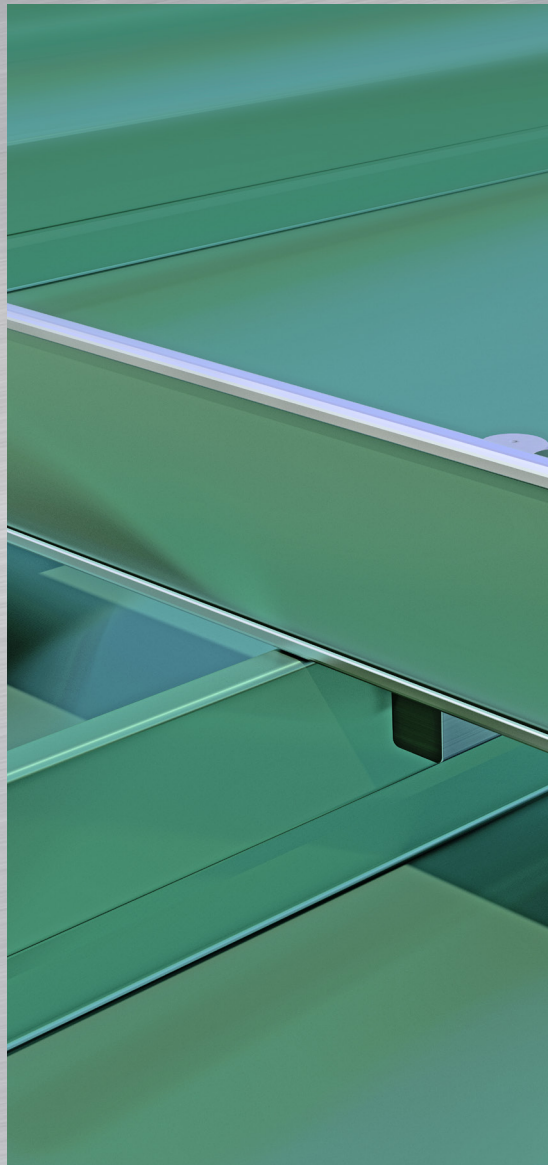


S-5![®]
The Right Way!

The Innovator in Snow Retention Systems

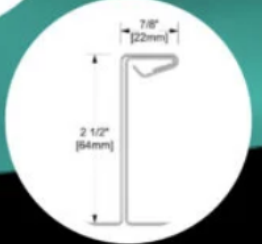
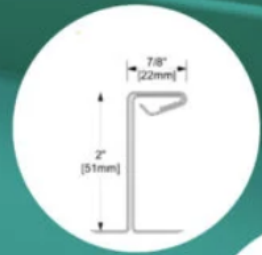


S-5-H90

"H" for Horizontal

MS-200 Single Fold

Horizontal,
single-folded seams

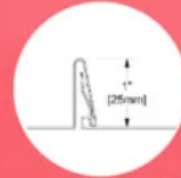
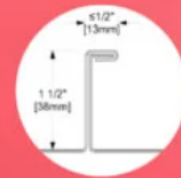
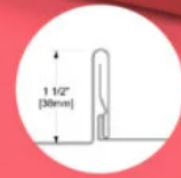


S-5-S

"S" for Snap-Lock

MS-100 Single Fold
MS-150 Single Fold
VersaSpan
Slim-Lock
Clip-Lock

Vertical snap-together
profiles

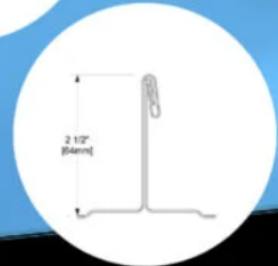
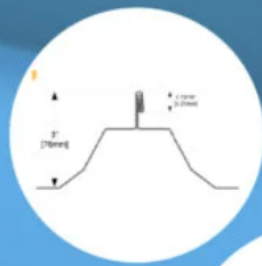


S-5-V

"V" for Vertical

MS-100 Double Fold
MS-150 Double Fold
MS-200 Double Fold

Most vertical,
machine-folded seams

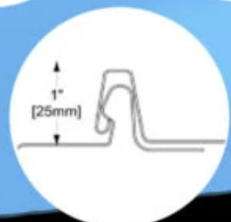
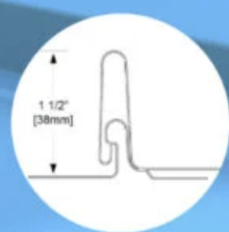
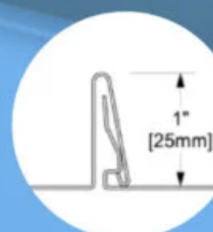


S-5-N

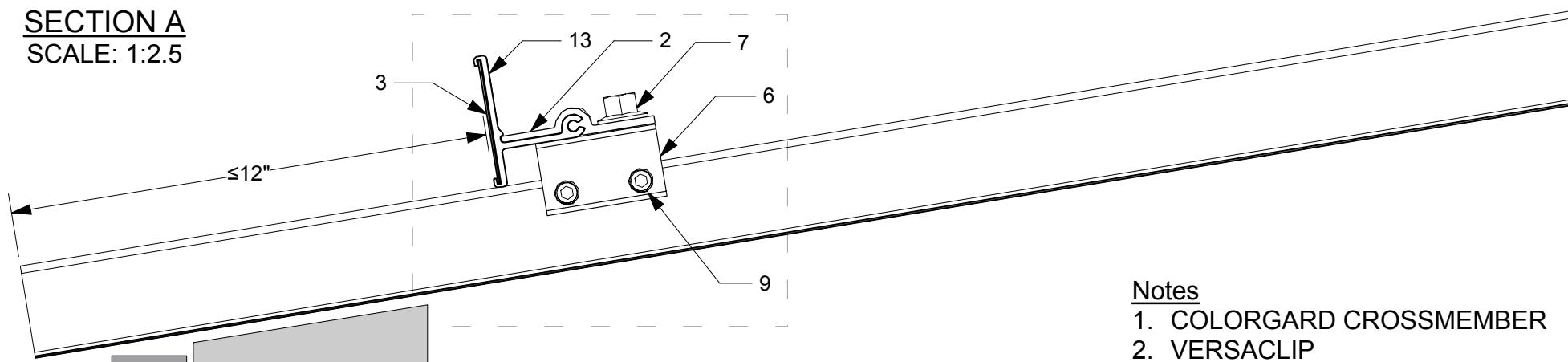
"N" for Nail Strip

Easy Lock

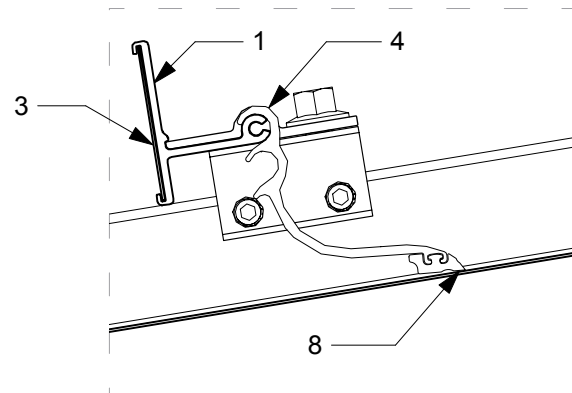
1" (25 mm)
nail strips



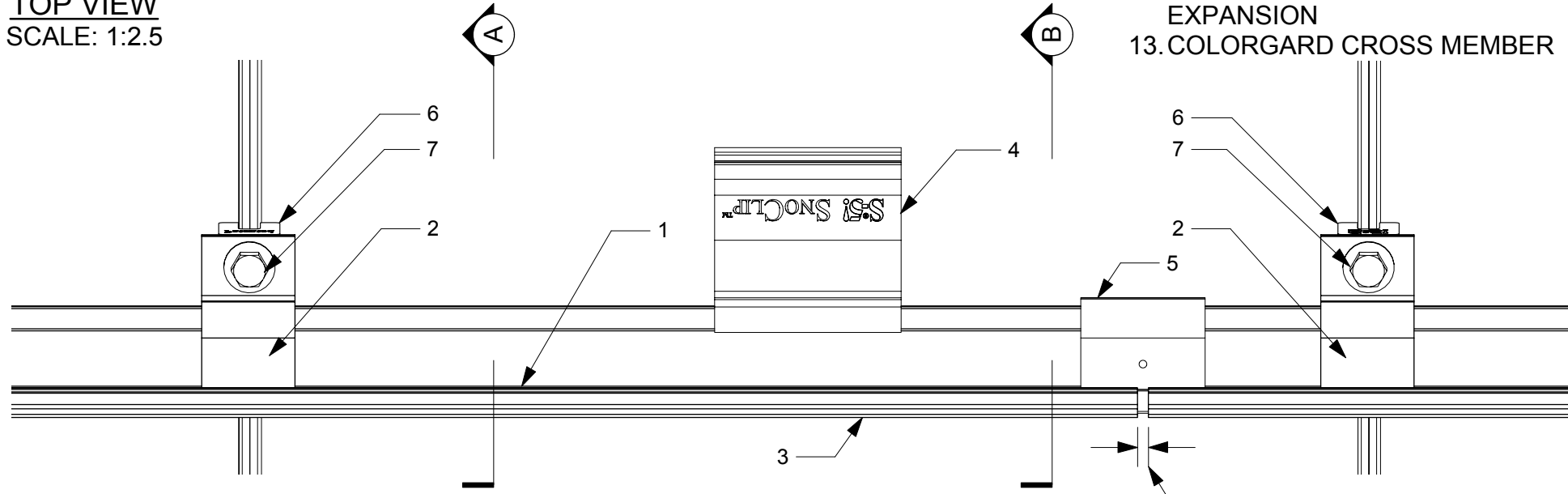
SECTION A
SCALE: 1:2.5



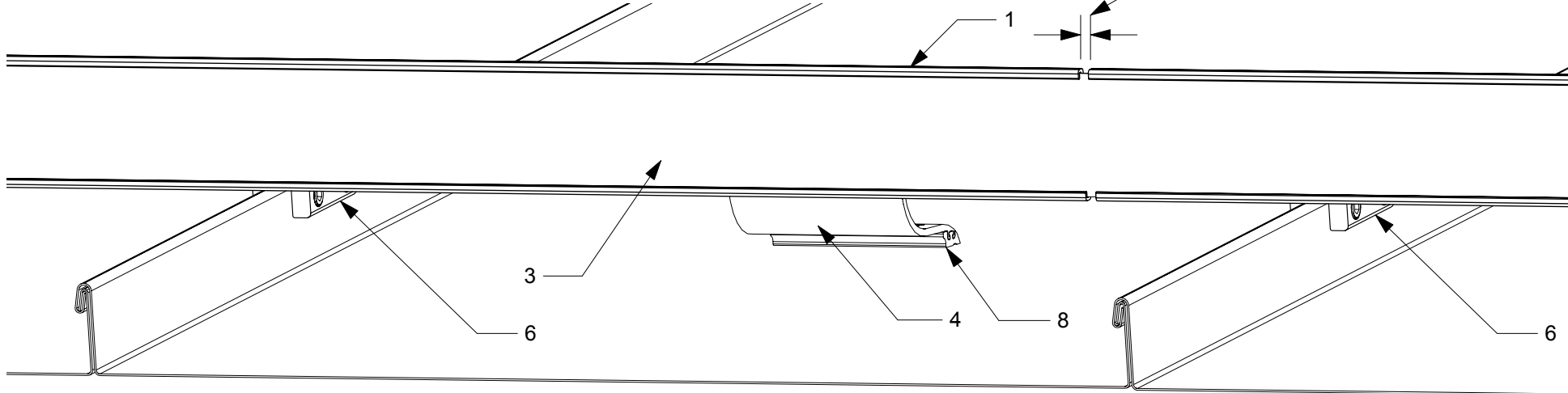
SECTION B
SCALE: 1:2.5



TOP VIEW
SCALE: 1:2.5

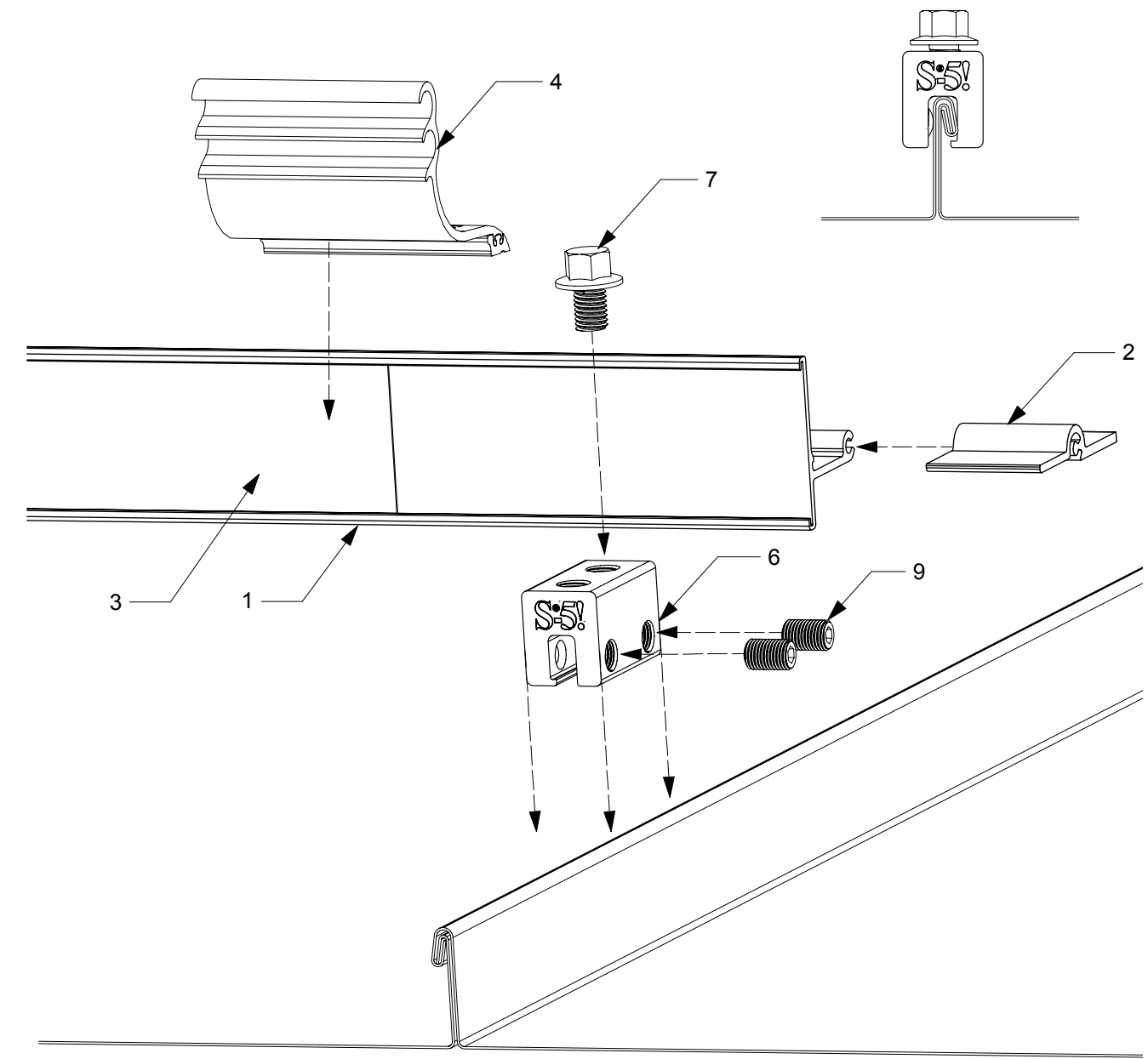



ASSEMBLY
SCALE: 1:2.5



- Notes**
1. COLORGARD CROSSMEMBER
 2. VERSACLIP
 3. 2" PREFINISHED COLORSTRIP TO MATCH ROOF (BY OTHERS)
 4. SNOCLIP BETWEEN ROOF SEAMS (VERIFY SNOCLIP MODEL WITH ROOF SEAM HEIGHT)
 5. COLORGARD SPLICE
 6. S-5-E CLAMP
 7. M10-1.5 x 0.63" HEX FLANGE BOLT
 8. RUBBER FOOT (TOE)
 9. 3/8-24 x 0.5" ROUND POINT SETSCREW
 10. EAVE STRUCTURE
 11. SIDING MATERIAL
 12. SPACE FOR THERMAL EXPANSION
 13. COLORGARD CROSS MEMBER

COMPONENTS
SCALE: 1:2



 S-5! The Right Way!	DRAWING TITLE: S-5-E ColorGard Assembly	
	DRAWING NUMBER: S-5-ECG 100	ISSUE DATE: September 18, 2013
CLAMP: S-5-E	CLAMP WEBPAGE: http://www.s-5.com/clamps/index_888.cfm#7	METAL ROOF INNOVATIONS, LTD. 8655 TABLE BUTTE RD COLORADO SPRINGS, CO 80908 719-495-0518 888-825-3432 www.S-5.com
CROSS MEMBER: Unpunched ColorGard	CROSS MEMBER WEBPAGE: http://www.s-5.com/snow/index_1146.cfm	
CALCULATOR: Calculator	CALCULATOR WEBPAGE: http://www.s-5.com/calculator/index.cfm	

S-5!® PRODUCTS ARE PROTECTED BY MULTIPLE U.S. PATENTS INCLUDING 5,228,248, 5,983,588 AND 6,164,033 (OTHERS ISSUED AND PENDING). EUROPEAN PATENTS ARE ALSO APPLIED FOR AND PENDING UNDER THE PATENT COOPERATION TREATY WITH DIVISIONAL FILING RIGHTS RETAINED. METAL ROOF INNOVATIONS, LTD. (LICENSOR OF S-5!® TECHNOLOGY) AGGRESSIVELY PROSECUTES PATENT INFRINGEMENT.