



Board and Batten™ Installation Guide

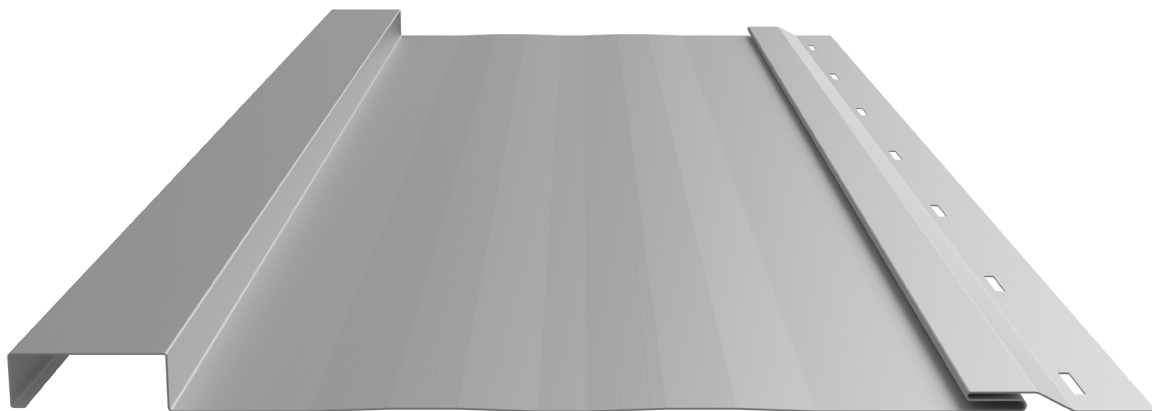
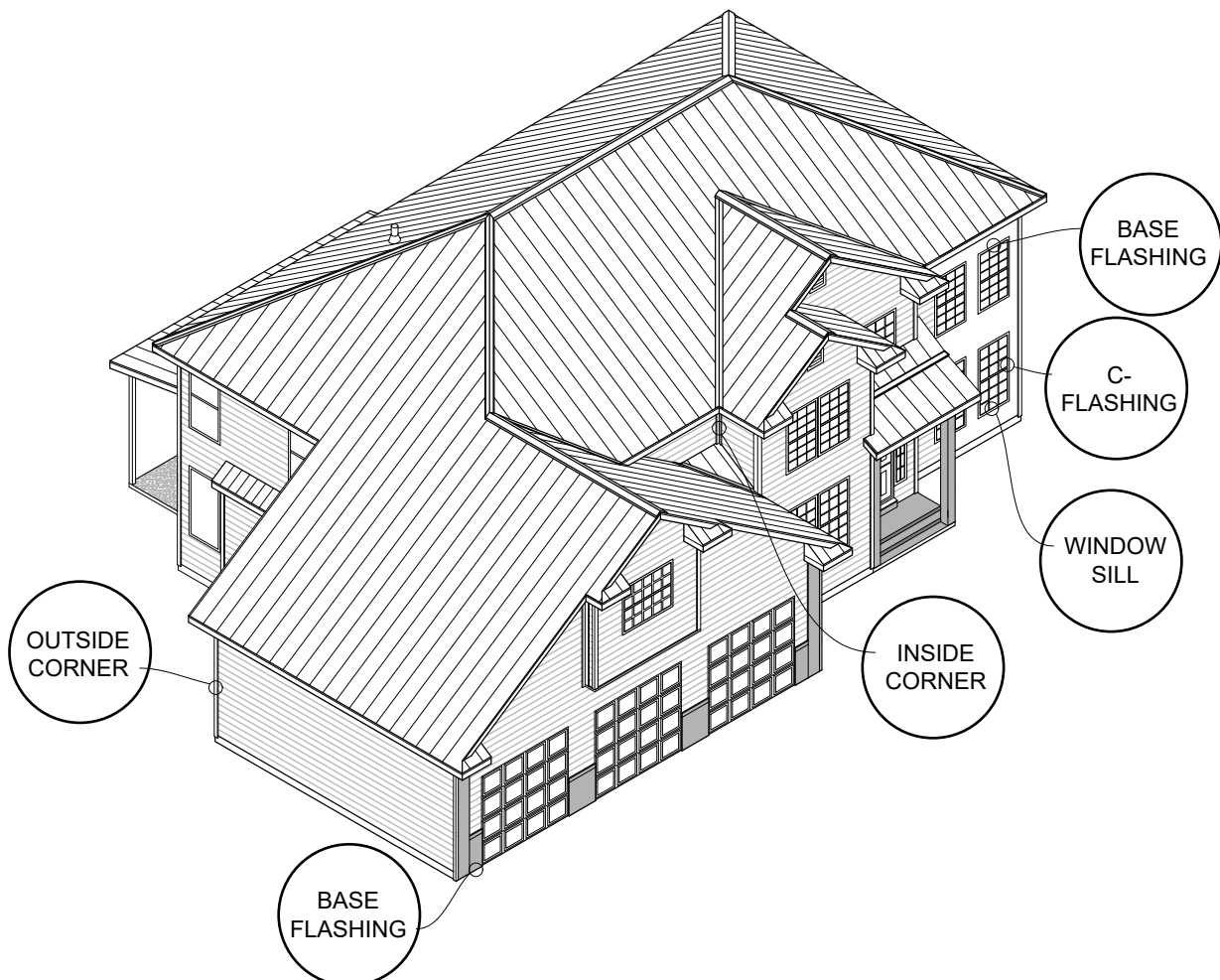


Table of Contents

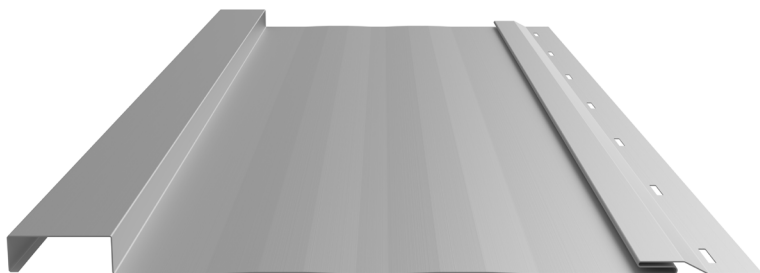
- Panel Specifications1-2
- Taylor Delivery Fleet 3
- Delivery, Will Call & Loading 4
- Notes To Designer/Installer5-7
- Wall Top and Base Flashing 8
- Door Jamb Flashings 9
- Water Trough 10
- Door, Window Flashings 11
- Outside Corners12
- Inside Corner 13
- Flashing Selection 14-17
- Order Form18
- Custom Trim19





ICC-ES EVALUATION REPORT #5045 with CBC-CRC Supplement (Coming soon)

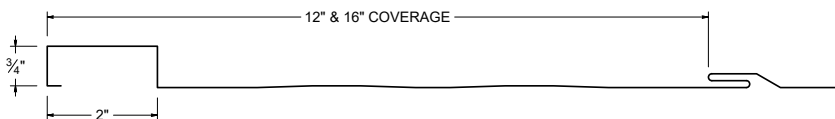
12" and 16" coverage options



Lightly Striated (Standard)




SCREW FLANGE ATTACHMENT



KEY FEATURES

- 12" or 16" panel coverage
- 26, 24 & 22 Tru-Gauge™. Screw Flange attachment available
- 3/4" deep panel
- 2" width batten
- Panel options: Lightly Striated (*standard*), Flat Pan available (*please inquire - installation is recommended over solid sheathing with 5/8" backer rod at mid-point of pan to mitigate visual effects of "oil canning"*)
- Slotted screw flange - allows for expansion and contraction
- 2 ft. to 35 ft (*for longer lengths, please inquire*)
- Vertical or Horizontal Wall Application
- Acceptable for use as a soffit panel
- 1" Slot on screw flange - allows 1/2" movement in each direction

TESTING (Coming soon)

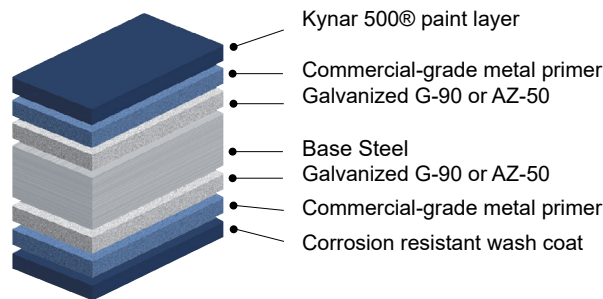
-  ICC-ESR #5045 with CBC-CRC Supplement
- ASTM A653/A924 - G90 Galvanized
- ASTM A792 - ZINCALUME/Galvalume AZ-50/55
- ASTM B209 - Aluminum Substrate

MATERIAL SPECIFICATIONS

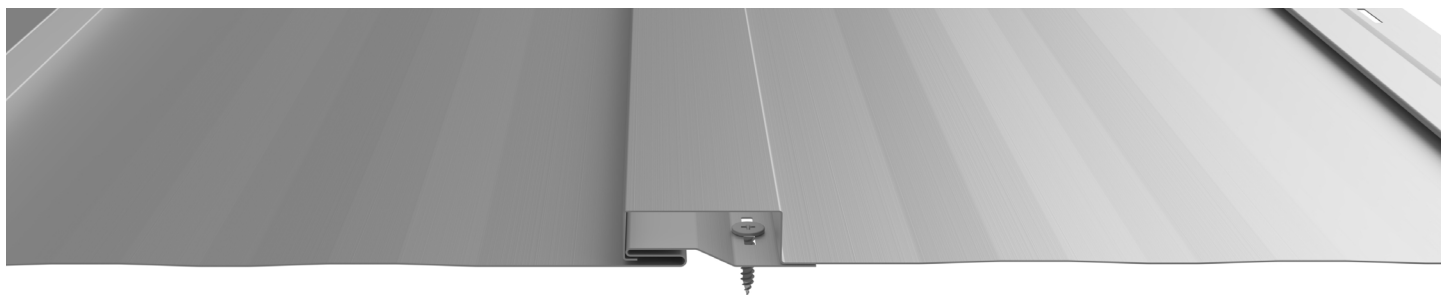
- 26 Tru-Gauge™ ArmorTech™ Painted Steel Galvanized G-90 or ZINCALUME® Plus AZ-50
- 26 Tru-Gauge™ Kynar 500® Painted Steel Galvanized G-90 or AZ-50 ZINCALUME®
- 24 Tru-Gauge™ Kynar 500® Painted Steel Galvanized G-90 or AZ-50 ZINCALUME®
- 24 & 22 Tru-Gauge™ ZINCALUME® Plus
(No finish warranty – 25 yr. perforation warranty)
- ▲ 22 gauge Kynar 500® Painted Steel G-90 Galvanized or AZ-50
- 16 and 20 oz. Copper (please inquire)
- Kynar 500® and substrate testing data available (See website)
- .8mm and 1.0mm True Zinc on special request (please inquire)
- PVDF is a fluoropolymer that is manufactured under the trademarked names Kynar 500® and Duranar®(PPG). Paint finishes containing a minimum 70% PVDF resin meet the high-performance weathering criteria established by the American Architectural Manufacturing Association and are allowed to carry the Kynar500® trademarked name. ZINCALUME & ZINCALUME® Plus are registered trademarks of Bluescope Ltd. Galvalume® is a registered trademark of BIEC International, Inc. Vintage® is a registered trademark of Steelscape, Inc. Kynar® and Kynar 500® is a registered trademarks of Arkema, Inc.

FINISHES

- 20 Standard Kynar 500® Colors, 3 Metallic Colors, 1 Premium Color and 3 Weathering Materials
- Kynar 500® Paint System - the ultimate in exterior durability and color retention
- “Cool” color pigments are specially designed to reflect infrared light, reducing heat gain to dwelling, and conform with ENERGY STAR® criteria
- Superior quality, two coat, 70% resin finish, applied at a 1 mil. thickness
- 20 Standard ArmorTech™ colors, ZINCALUME® Plus and Galvanized ArmorTech™ Paint System – excellent in exterior durability
- Superior quality, two coat SMP resin system at 1 mil. thickness
- 40 year residential paint warranty
- 20 and 30 year commercial paint warranty: Contact your sales rep. for warranty specifications
- “Oil Canning” is an inherent characteristics of roof and wall products, and not a defect, which is not a cause for panel rejection.



PANEL ATTACHMENT



Fastener Notes:

- When possible, lap panels away from prevailing wind direction.
- Panel screws should be long enough to penetrate through the bottom of the plywood by 3/8".
- For dimensional lumber, panel screws should penetrate the lumber 1".
- All trim screws used for roof or wall applications should have EPDM sealing washers.
- Clean off working area each day to remove metal particles left from drilling fasteners. These particles, when exposed to moisture, will form rust between metal particles and the panel.

Taylor Delivery Fleet



Delivery Fleet

Taylor Metal Products prides itself with quick lead times delivered with our fleet of semi trucks. Our fleet of trucks are owned and operated by TMP. All of our drivers are Taylor Metal Products employees, so when your truck rolls in to deliver, you are dealing with Taylor Metal Products.

Expect consistent and exceptional service with short lead times. The inhouse fleet allows for efficient and cost-effective delivery.



Mounted on the rear of a carrier vehicle, the truck-mounted "piggy-back" forklift will accompany you right to your place of use, opening up unprecedented possibilities in terms of transportation. It can travel sideways, carrying panels up to 40' long, allowing delivery in locations that would typically be considered impossible to reach.

Save time and effort while avoiding potential loading and transport issues; have experienced TMP personnel deliver and unload your order.



Delivery

We will make every attempt to deliver material to the desired location. We may be unable to gain access on tight corners or steep terrain. If the site is deemed inaccessible by our driver, the customer may choose an alternate delivery site within a reasonable proximity. If we are unable to make the alternate delivery, additional charges may be assessed.

The customer is responsible for:

- Determining adequate access for delivery ahead of time.
- Meeting the delivery at the agreed upon time.
- Providing adequate resources (1-4 people as needed) for off loading materials.
- **A charge of \$100 per hour may be added for deliveries that go beyond their allotted time**
- Check the shipment at the time of delivery.
- Verify material quantities against the shipping/packing list.
- Note any damage or discrepancies upon the paper work at the time of delivery and notify Taylor Metal Products within 48 hours of delivery.

Delivery times are usually scheduled one day in advance. Taylor Metal Products will make every effort to make the delivery at the scheduled time. Please be aware that there may be conditions beyond our control such as traffic, mechanical failures, road closures, etc. which may affect our schedule.

Will Call/Loading

Flatbed trailers and trucks are best suited to transport metal roofing materials. These can be loaded from the side with a forklift and tied down in a safe and secure manner.

We are not able to load materials onto vehicles and/or trailers which are not suitable or may be hazardous to load. Please be aware that if we find a vehicle to be inappropriate, we reserve the right to refuse to load your order.

Unacceptable examples include: boat trailers, vans, buses, motor homes, campers and box trailers. Pickup racks which do not have sufficient supports for the weight or are not long enough to support bundles are also unacceptable.

Taylor Metal Products is **not** responsible to tie down loads nor do we provide any tie down materials. Please bring tie downs to secure your load (string or twine are **not** acceptable for this purpose).

Consider having your order delivered on one of our trucks with a piggy back forklift.



Notes to Designer/Installer

Taylor Commercial Products is providing the following details as an aid in design. The details in this guide are not inclusive to all design situations. The designer /installer is responsible for modifications and should take into consideration all aspects of the project including climate conditions, such as, snow and wind, as well as, building code requirements, building design, building usage and maintenance requirements.

Installation should be performed only by qualified installers familiar with metal siding systems and industry standards. For details not shown in this guide, refer to the Sheet Metal and Air Conditioning Contractors National Association (SMACNA) architectural sheet metal manual for proper design.

The Standard gauge for all products in this guide is 24 gauge and the standard finish is Kynar 500®/Hylar 5000®. We recommend specifying all flashings be the same gauge, color, and finish as the panels to insure long-term durability and color match.

Substrates

Details in the manual are all shown over solid substrate. Contour can be used over spaced purlins no greater than 24" apart.

For solid substrate, Taylor Commercial Products recommends 5/8" plywood.

Underlayments

Follow manufactures instructions carefully for all underlayment installation.

Oil Canning

Flat metal surfaces will display waviness commonly referred to as "oil canning". Oil canning is caused by a variety of conditions. Steel mill tolerances, variations in or uneven substrates.

Oil canning is a characteristic of metal siding, not a defect and is not a cause for rejection.

Thermal Movement

The Panels and the flashings must be allowed to expand and contract, especially with longer length panels. The panel may need to have a slight gap where the panel hooks the offset cleat to allow for thermal movement of the panels.

Handling / Storage & Safety

Handle materials with care when off-loading or moving materials to avoid damage to panels or flashings. Long panels may require two or more pick-up points, properly spaced to avoid damaging panels. Plan ahead; contact Taylor Commercial Products for recommendations on handling/hoisting long panels. Store the panels, flashings and accessories in a dry, well ventilated area, off the ground. If covering, allow ventilation around panels. Elevate one end of bundle to allow drainage of wet materials.

Take care when painting to avoid getting over spray on the siding material. Remember that wind can carry paint particles some distance. Over spray can cause the finish of the roofing material to look dull and may void your warranty.

Secure materials, especially when leaving the site, on the ground or roof to prevent winds from moving the materials. Wind-blown materials may cause damage to the material, property or persons.

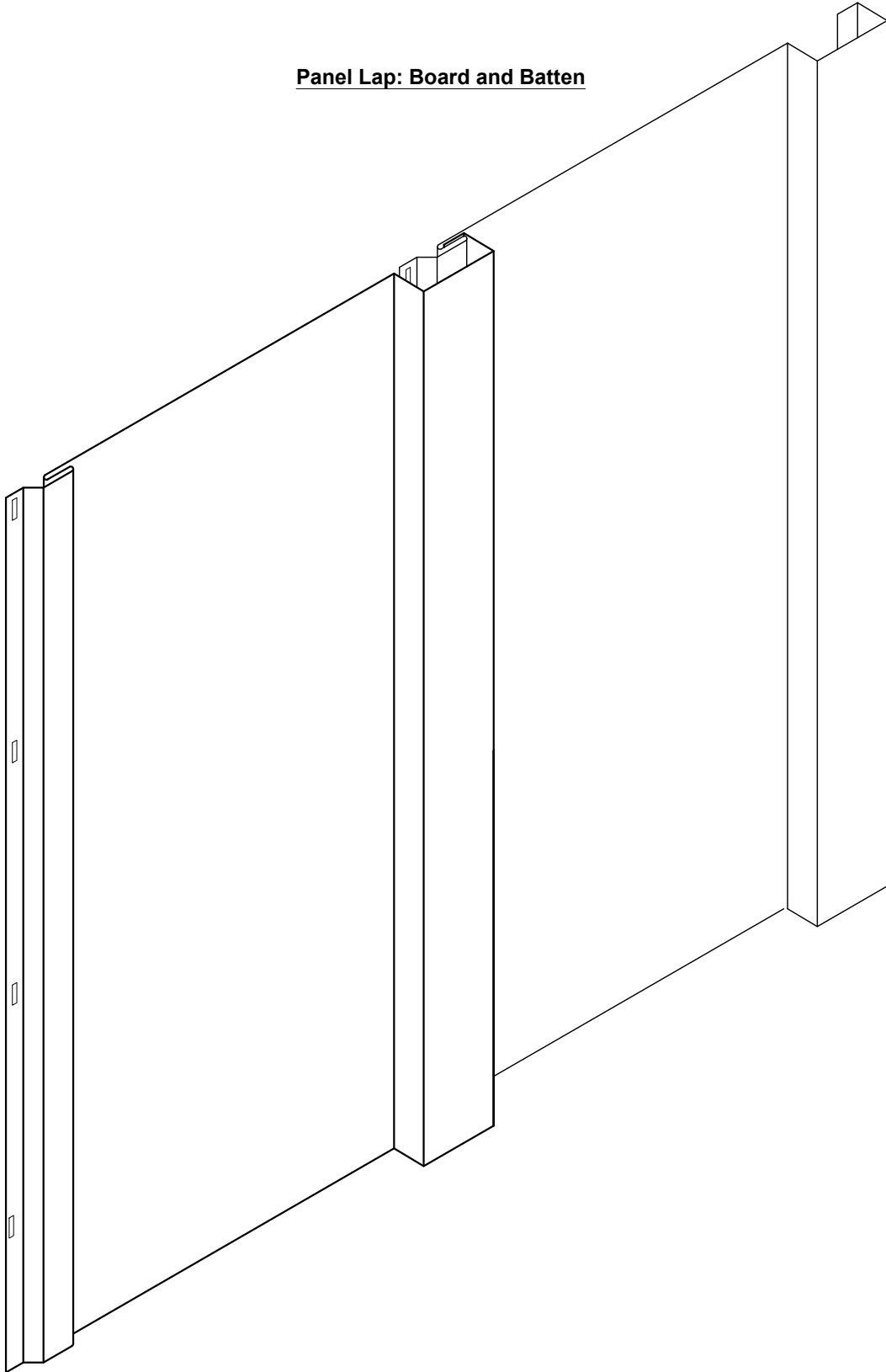
Always use proper safety equipment and attire to minimize risk of cuts or other injuries.

Avoid installing metal panels in windy conditions.

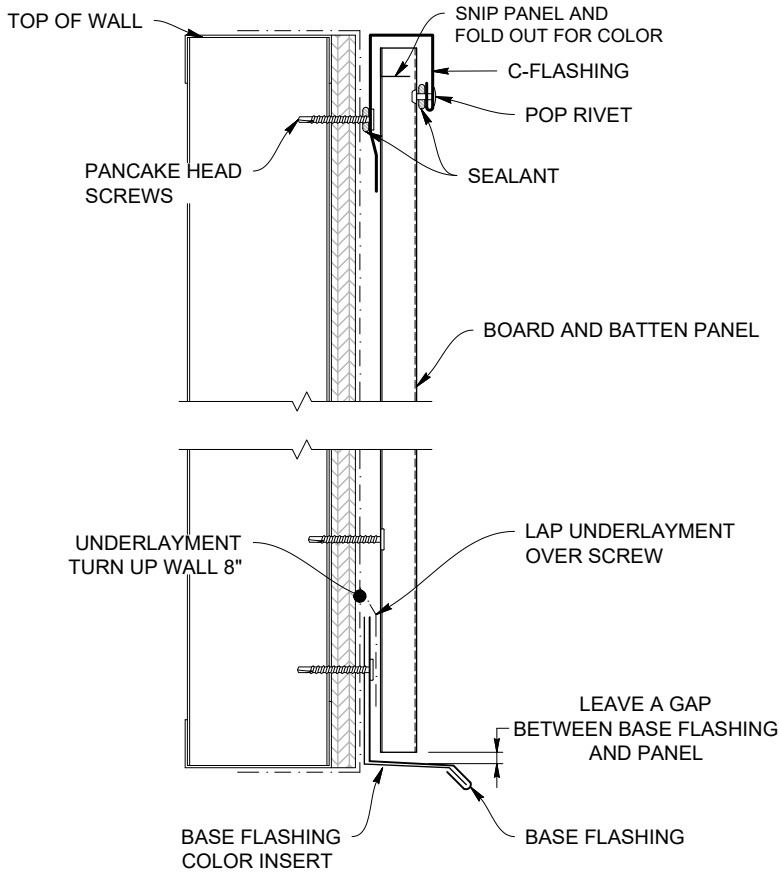
Safety considerations are the responsibility of the installer and his crew. Be sure to use common sense and generally accepted safety practices when installing roofing material.

Lap Detail

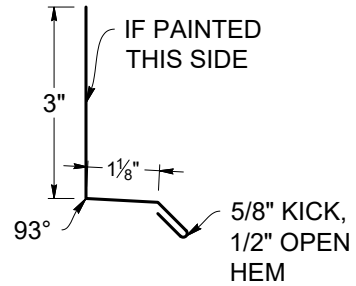
Panel Lap: Board and Batten



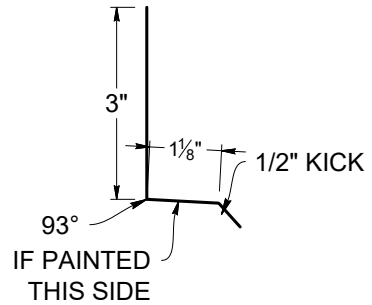
**BASE FLASHING DETAIL:
HORIZONTAL**



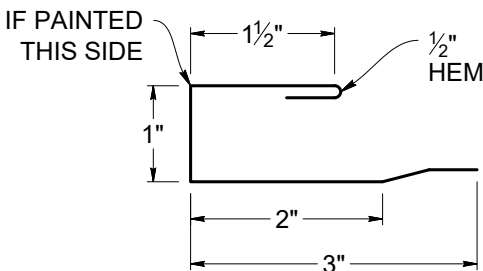
**PART SHOWN:
BASE FLASHING
PART NUMBER: BBBF**



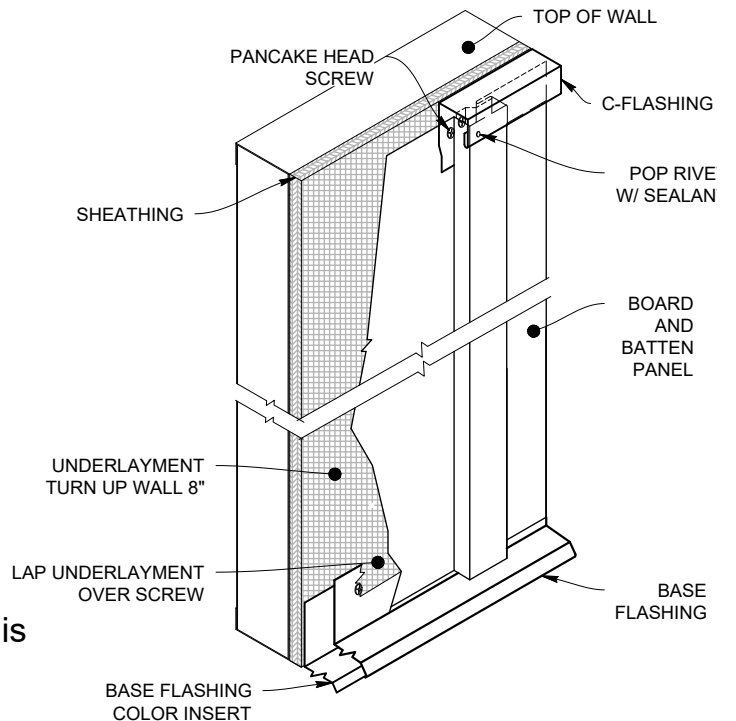
**PART SHOWN:
BASE FLASHING INSERT
PART NUMBER BBBFI**



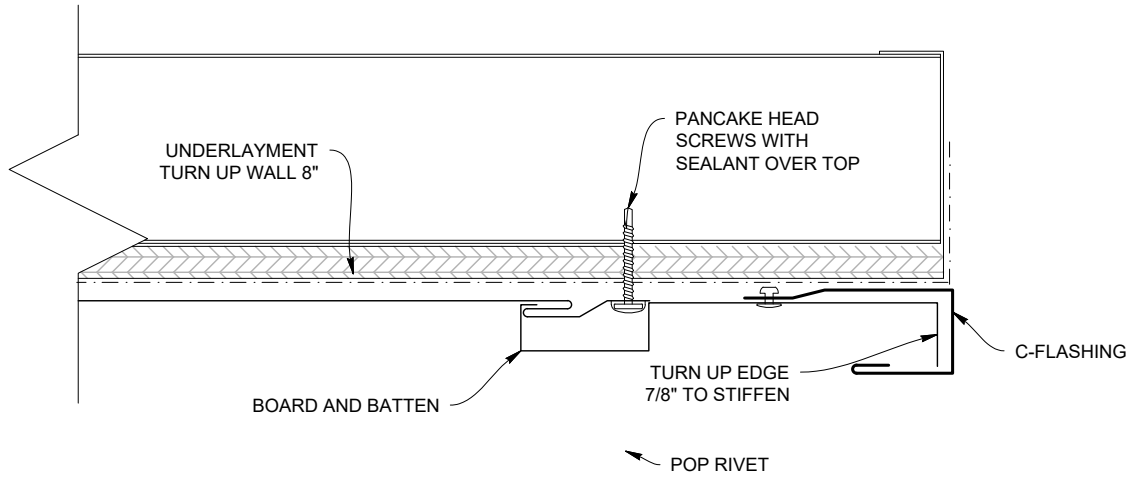
**PART SHOWN:
C-METAL
PART NUMBER: BBCF**



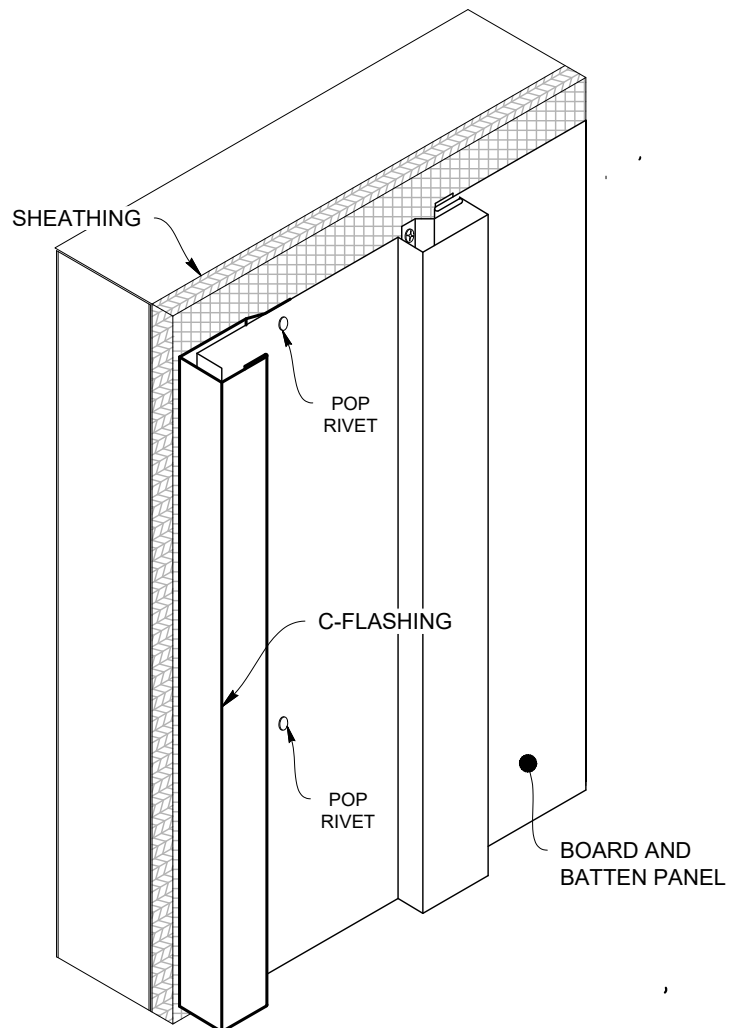
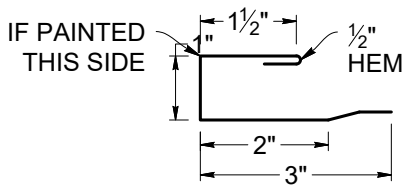
Note: It is important that the base flashing is installed level.



DOOR JAMB DETAIL:



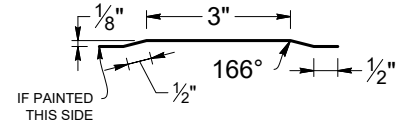
PART SHOWN:
C-FLASHING
PART NUMBER: BBCF



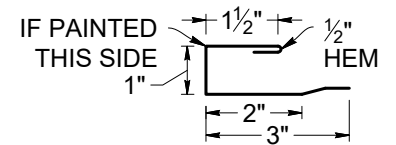
DOOR/WINDOW TROUGH DETAIL



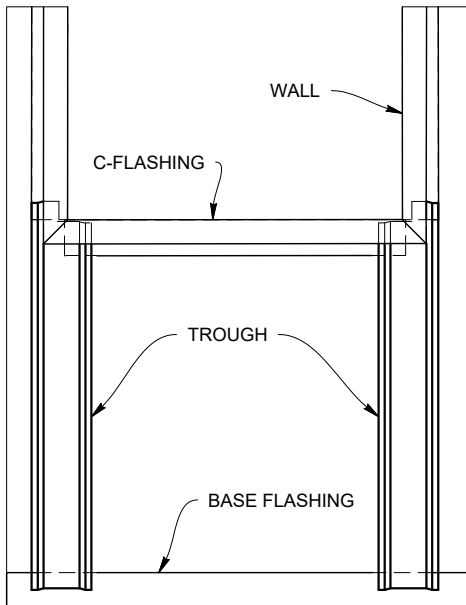
**PART SHOWN:
TROUGH FLASHING
PART NUMBER: BBTF**



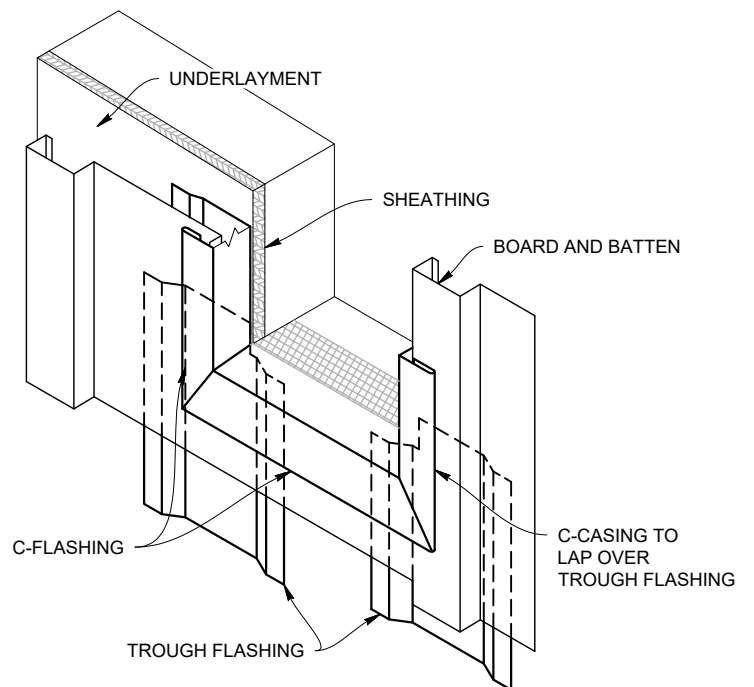
**PART SHOWN:
C-FLASHING
PART NUMBER: BBCF**



DOOR/WINDOW TROUGH DETAIL

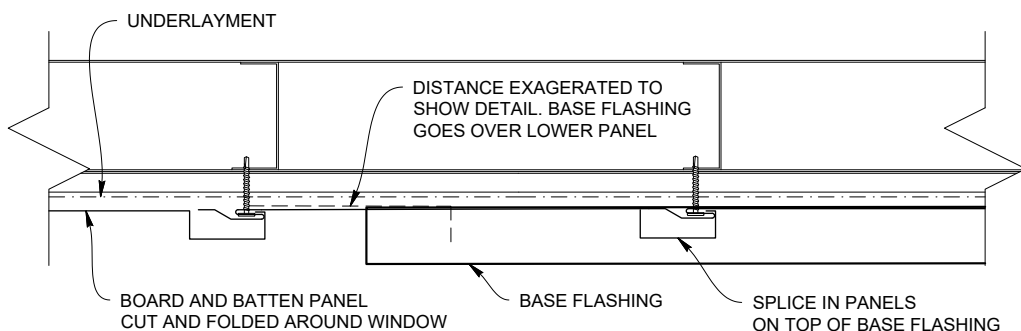


JOGGLES ON THE WATER TROUGH AND C-FLASHING SHOULD LINE UP

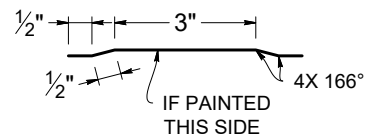


Door/Window Head

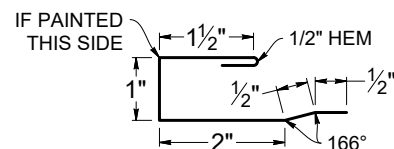
DOOR/WINDOW TOP DETAIL



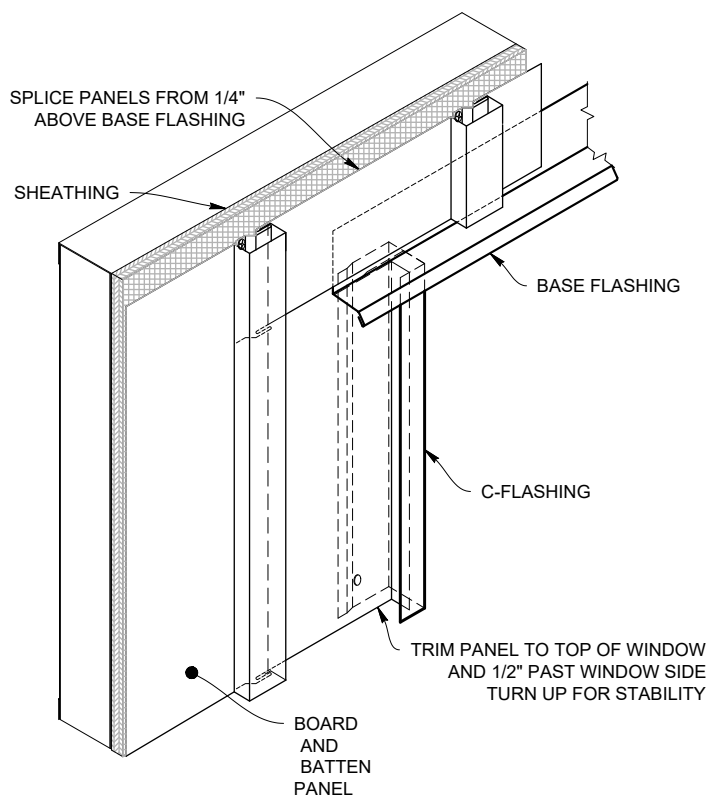
PART SHOWN:
TROUGH FLASHING
PART NUMBER: BBTF



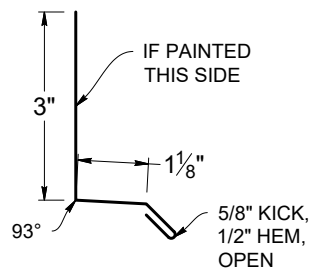
PART SHOWN:
C-FLASHING
PART NUMBER: BBCF



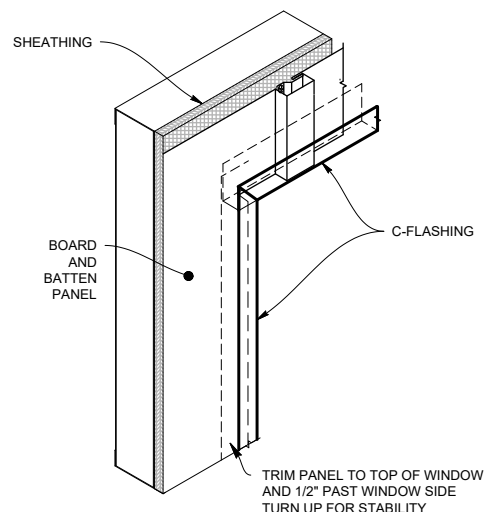
DOOR/WINDOW TOP DETAIL PREFERRED METHOD



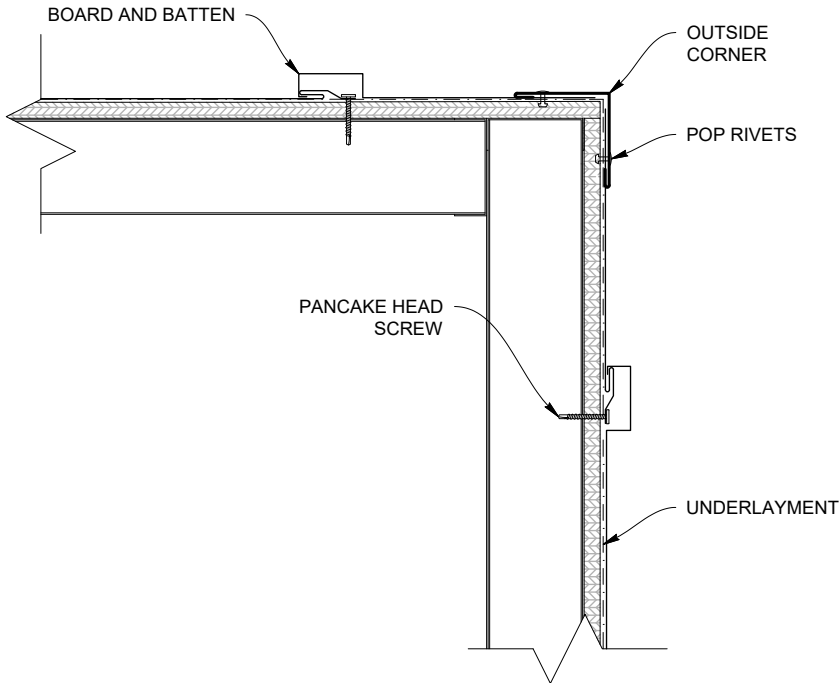
PART SHOWN:
BASE FLASHING
PART NUMBER: BBBF



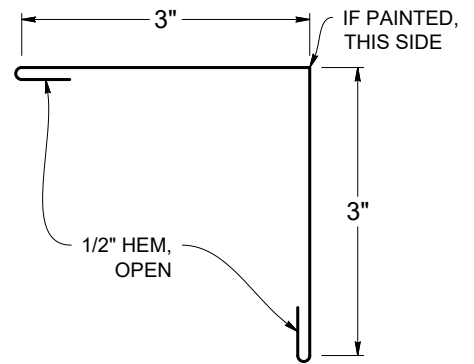
DOOR/WINDOW TOP DETAIL ALTERNATE METHOD



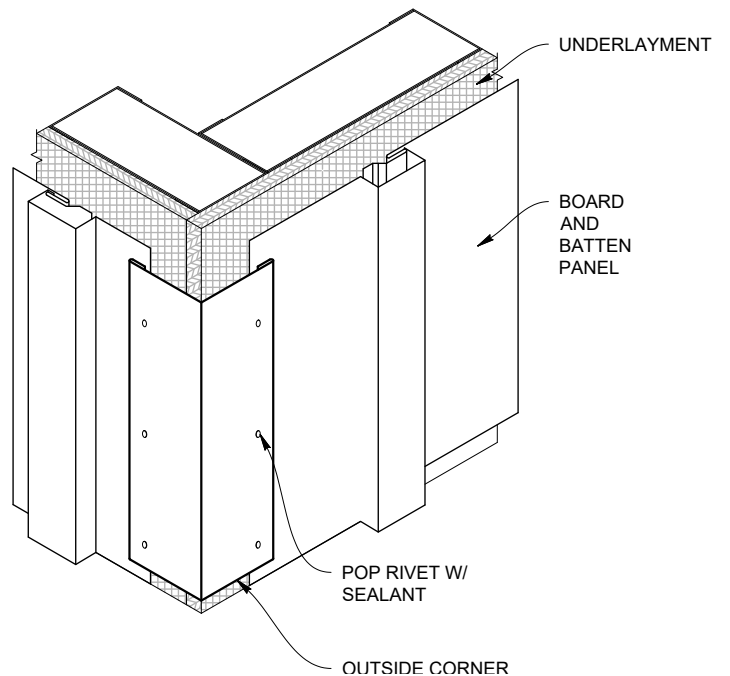
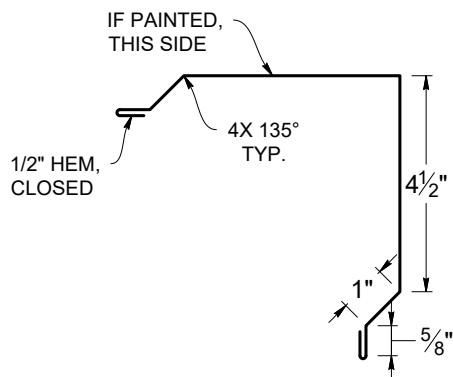
**OUTSIDE CORNER DETAIL
VERTICAL PANELS**



**PART SHOWN: OUTSIDE CORNER
PART NUMBER: BBCOA**

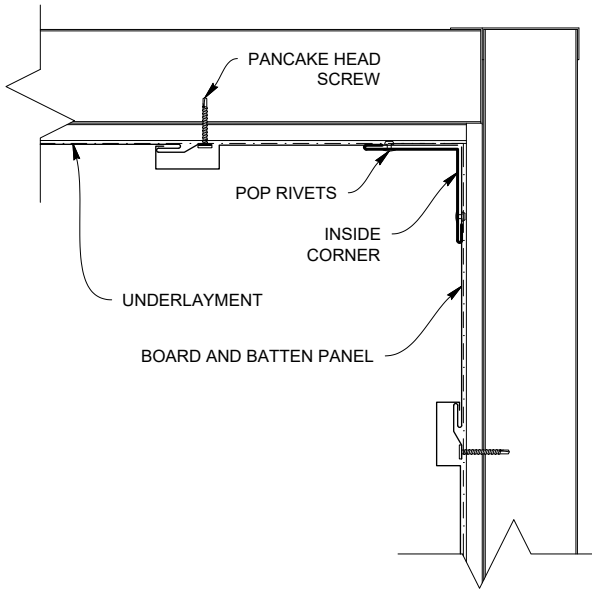


**ALTERNATE PART : OUTSIDE CORNER
PART NUMBER: BBCO**

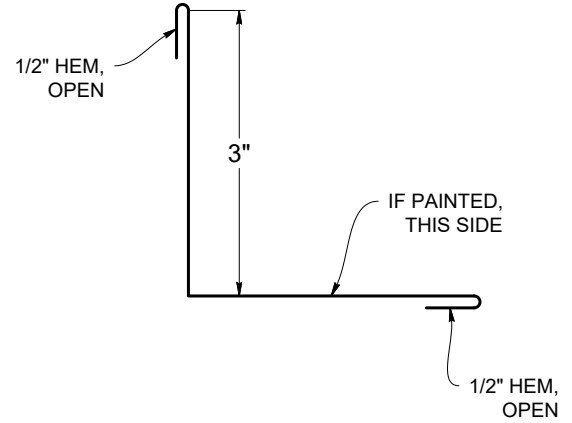


Inside Corner

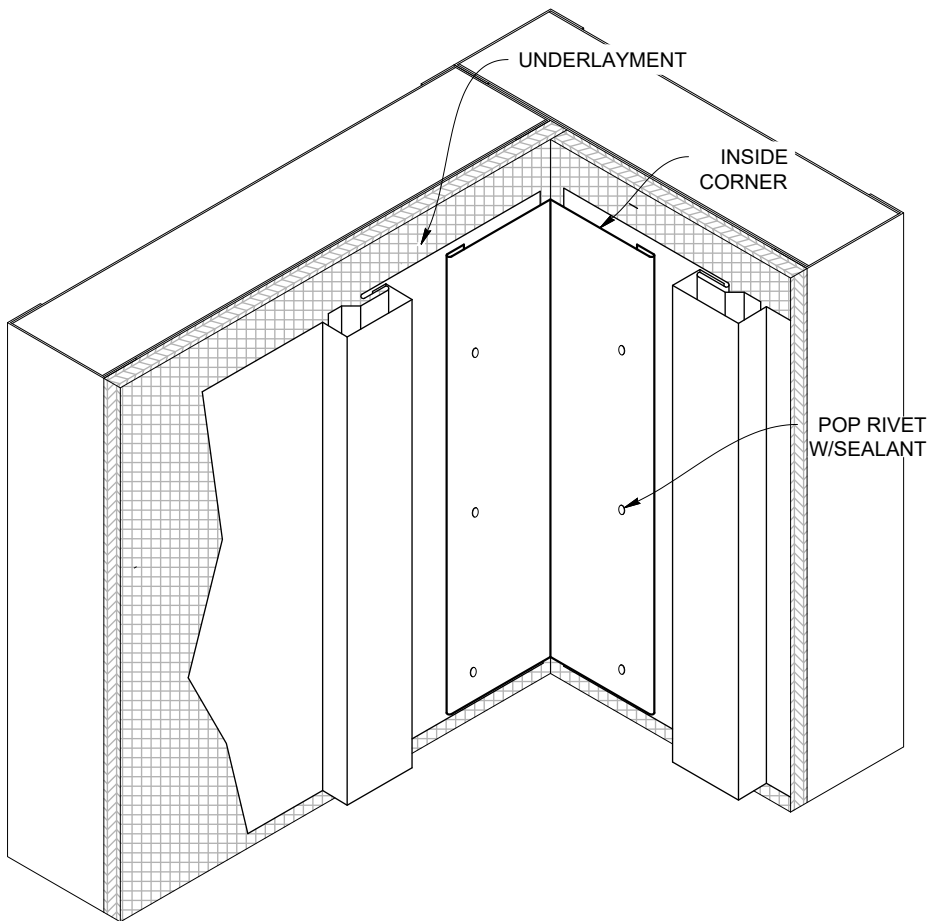
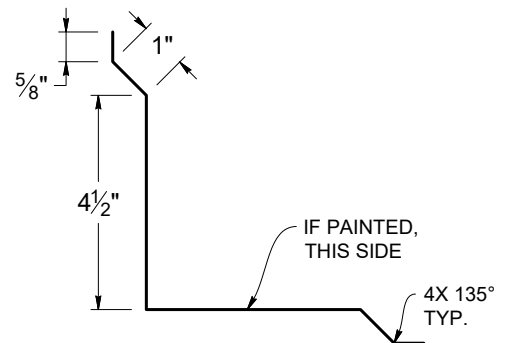
INSIDE CORNER DETAIL VERTICAL PANELS



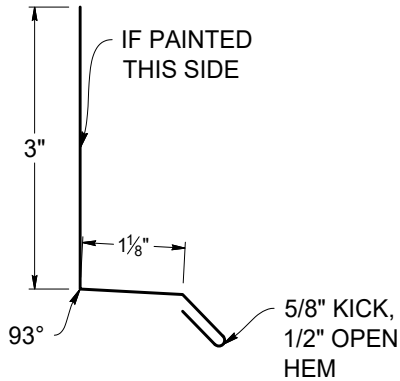
PART SHOWN: INSIDE CORNER PART NUMBER: BBCIA



ALTERNATE PART: INSIDE CORNER PART NUMBER: BBCI

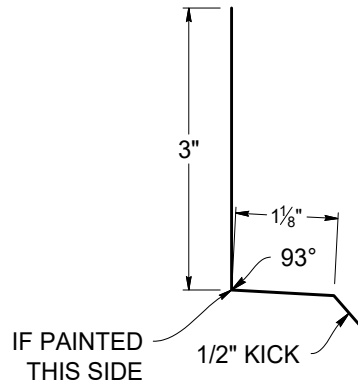


BASE FLASHING
(BBBF)



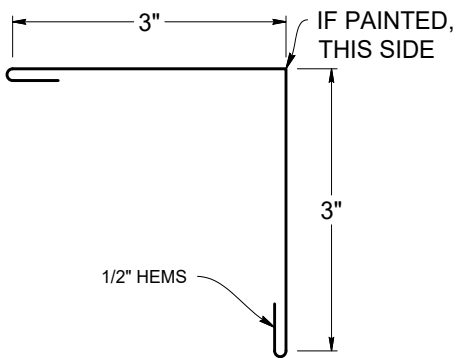
SCALE: 1:2 *WEIGHTS ARE BASED OFF OF 24 GAUGE COILS
S.O. 5.25" WEIGHT: 4.11 LBS

BASE FLASHING COLOR INSERT
(BBBF1)



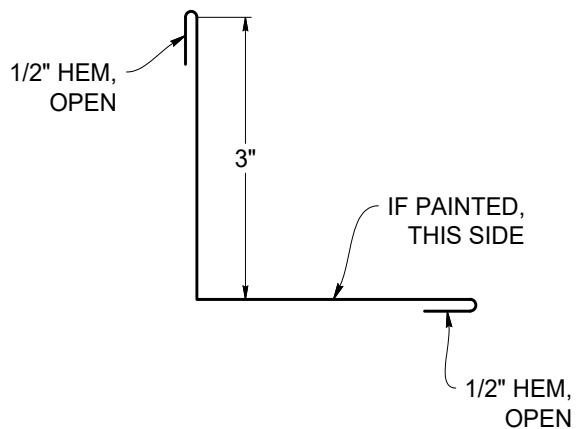
SCALE: 1:2 *WEIGHTS ARE BASED OFF OF 24 GAUGE COILS
S.O. 4.625" WEIGHT: 3.61 LBS

OUTSIDE CORNER - TYPE A
(BBCOA)



SCALE: 1:2 S.O. 7" WEIGHT: 5.8 LBS.

INSIDE CORNER - TYPE A
(BBCIA)



SCALE: 1:2 S.O. 7" WEIGHT: 5.8 LBS.

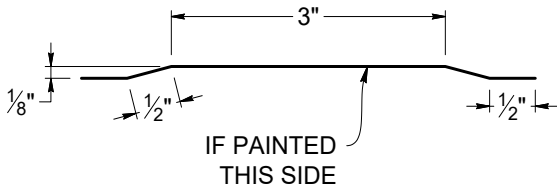
Flashing Selections

Flashing and Details Selection
Flashing: 10' Standard



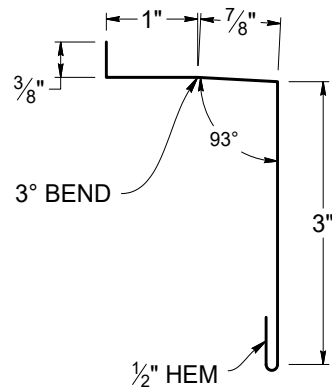
<p>OUTSIDE CORNER (BBCO)</p> <p>IF PAINTED, THIS SIDE</p> <p>4X 135° TYP.</p> <p>1/2" HEM, CLOSED</p> <p>4 1/2"</p> <p>1"</p> <p>5/8"</p> <p>SCALE: 1:3 S.O. 13.25" WEIGHT: 5.8 LBS.</p>	<p>INSIDE CORNER (BBCI)</p> <p>5/8"</p> <p>1"</p> <p>4 1/2"</p> <p>IF PAINTED, THIS SIDE</p> <p>4X 135° TYP.</p> <p>SCALE: 1:3 S.O. 12.25" WEIGHT: 5.8 LBS.</p>
<p>C-FLASHING (BBCF)</p> <p>IF PAINTED THIS SIDE</p> <p>1 1/2"</p> <p>1/2" HEM</p> <p>1"</p> <p>1/2"</p> <p>1/2"</p> <p>2"</p> <p>3"</p> <p>SCALE: 1:2 *WEIGHTS ARE BASED OFF OF 24 GAUGE COILS S.O. 6" WEIGHT: 4.81 LBS</p>	<p>SUPPORT FLASHING (BBSF)</p> <p>1 1/2"</p> <p>1"</p> <p>COLOR ON INSIDE</p> <p>1/2"</p> <p>1/2"</p> <p>2"</p> <p>1/8"</p> <p>SCALE: 1:2 *WEIGHTS ARE BASED OFF OF 24 GAUGE COILS S.O. 5.5" WEIGHT: 4.41 LBS</p>

WATER TROUGH
(BBTF)



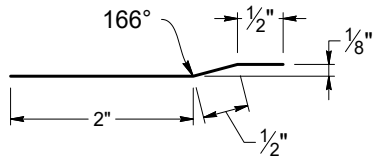
SCALE: 1:2 *WEIGHTS ARE BASED OFF OF 24 GAUGE COILS
S.O. 5" WEIGHT: 4.01 LBS

SILL FLASHING
(BBFS)



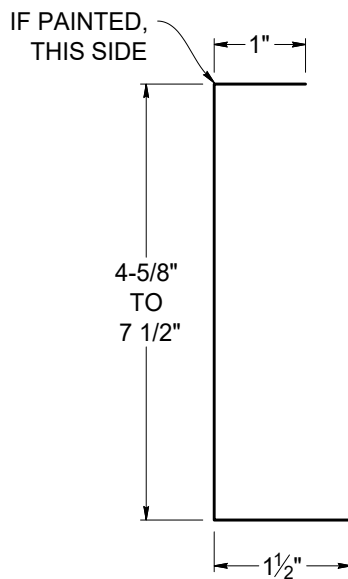
SCALE: 1:2 *WEIGHTS ARE BASED OFF OF 24 GAUGE COILS
S.O. 5.75" WEIGHT: 4.61 LBS

OFFSET CLEAT
(BBOC)



SCALE: 1:2 S.O. 3" WEIGHT: 2.41 LBS.

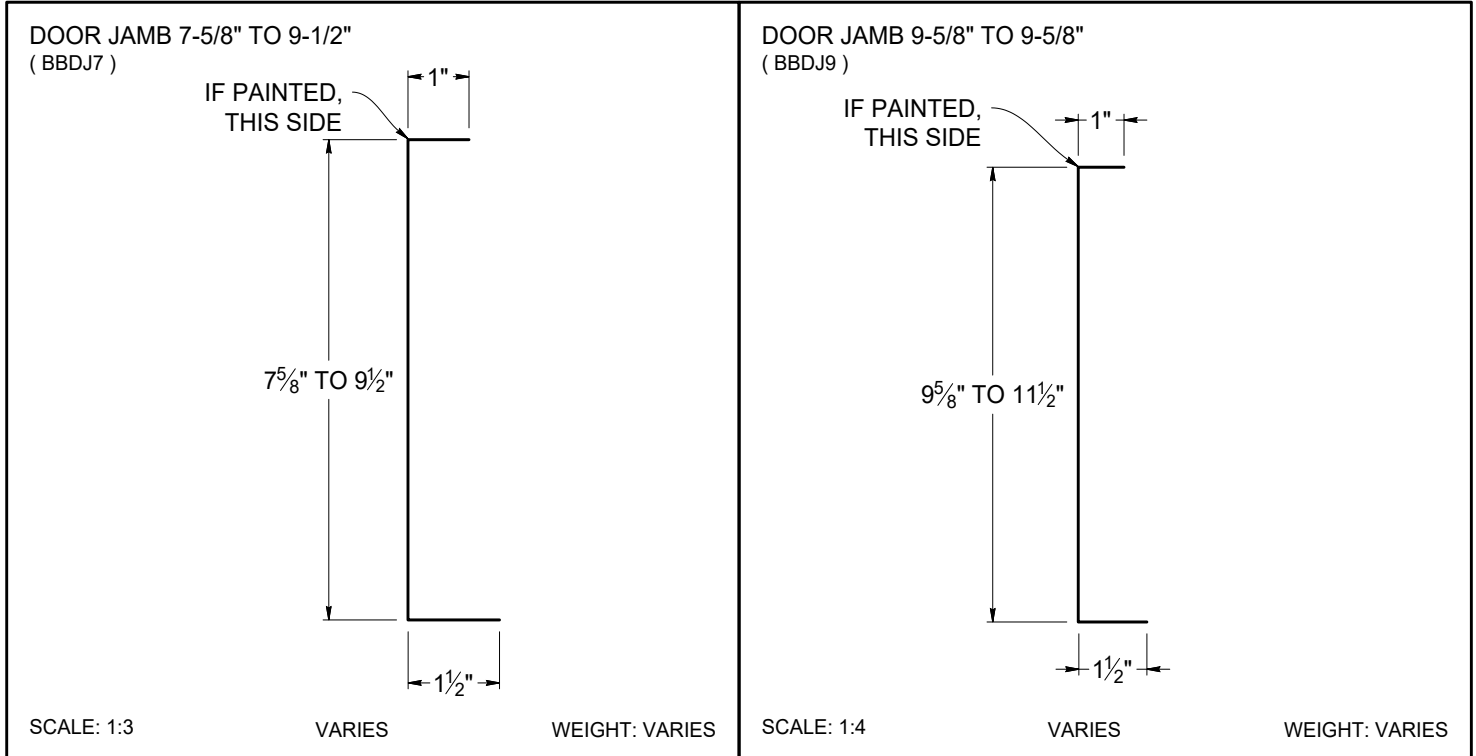
DOOR JAMB 4-5/8" TO 7-1/2"
(BBDJ5)



SCALE: 1:2 S.O. VARIES WEIGHT: VARIES

Flashing Selections

Flashing and Details Selection
Flashing: 10' Standard



Custom Trim Order



Customer Name: _____ Job Name: _____

Gauge: _____ Color: _____ Status: Original Updated

Specify: Angles Color Side Dimensions Stretchout _____ Customer Initials

S.O. _____

Dwg #: _____ Pitch: _____ # of Pieces: _____

Description: _____

Hems: Open Closed Slightly Open

S.O. _____

Dwg #: _____ Pitch: _____ # of Pieces: _____

Description: _____

Hems: Open Closed Slightly Open

S.O. _____

Dwg #: _____ Pitch: _____ # of Pieces: _____

Description: _____

Hems: Open Closed Slightly Open

S.O. _____

Dwg #: _____ Pitch: _____ # of Pieces: _____

Description: _____

Hems: Open Closed Slightly Open

19 Please provide a drawing for each flashing with precise measurements and angles

Customer Name: _____ Job Name: _____

Gauge: _____ Color: _____ Status: Original Updated

Specify: Angles Color Side Dimensions Stretchout _____ Customer Initials

S.O. _____

Dwg #: _____ Pitch: _____ # of Pieces: _____

Description: _____

Hems: Open Closed Slightly Open

S.O. _____

Dwg #: _____ Pitch: _____ # of Pieces: _____

Description: _____

Hems: Open Closed Slightly Open

S.O. _____

Dwg #: _____ Pitch: _____ # of Pieces: _____

Description: _____

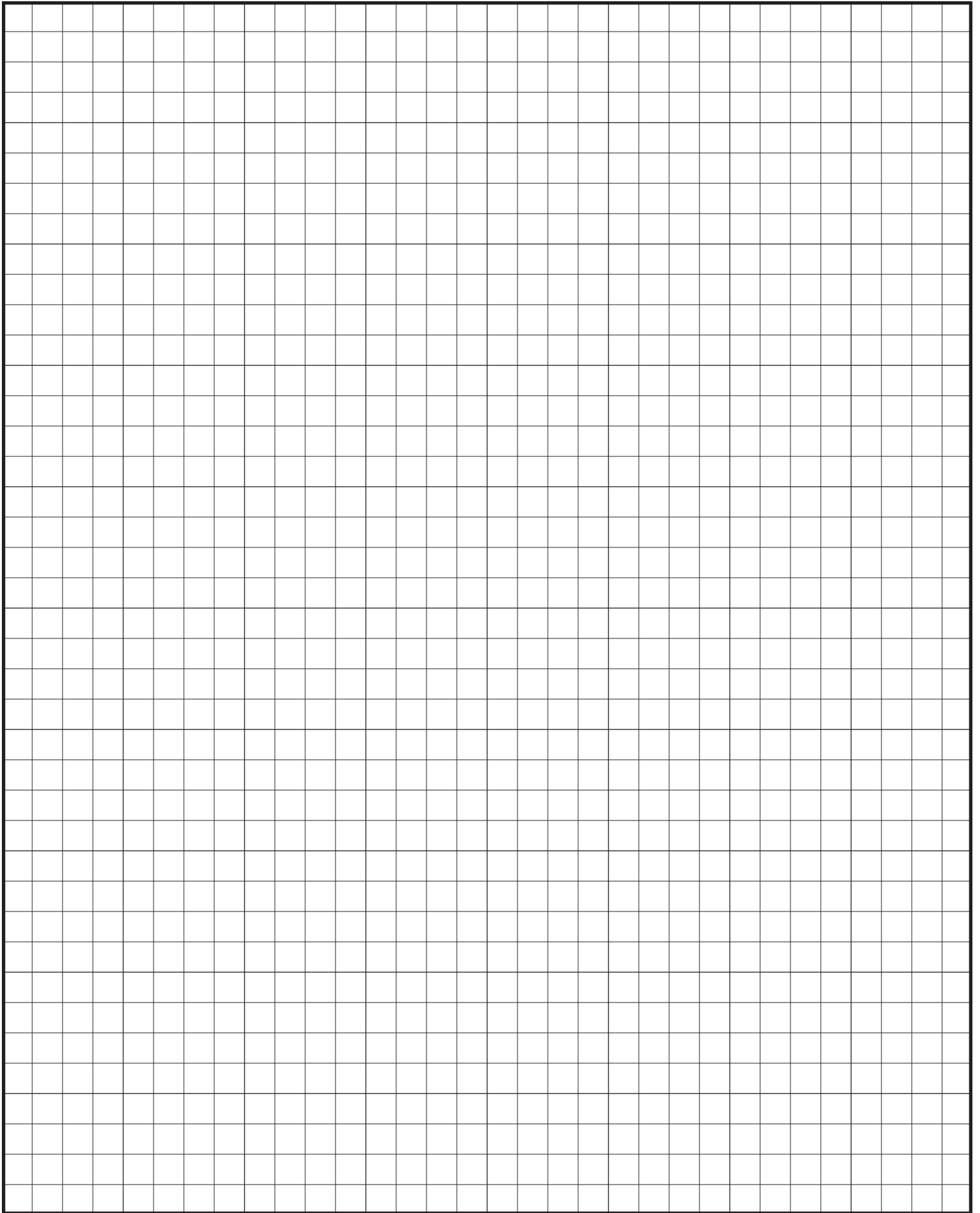
Hems: Open Closed Slightly Open

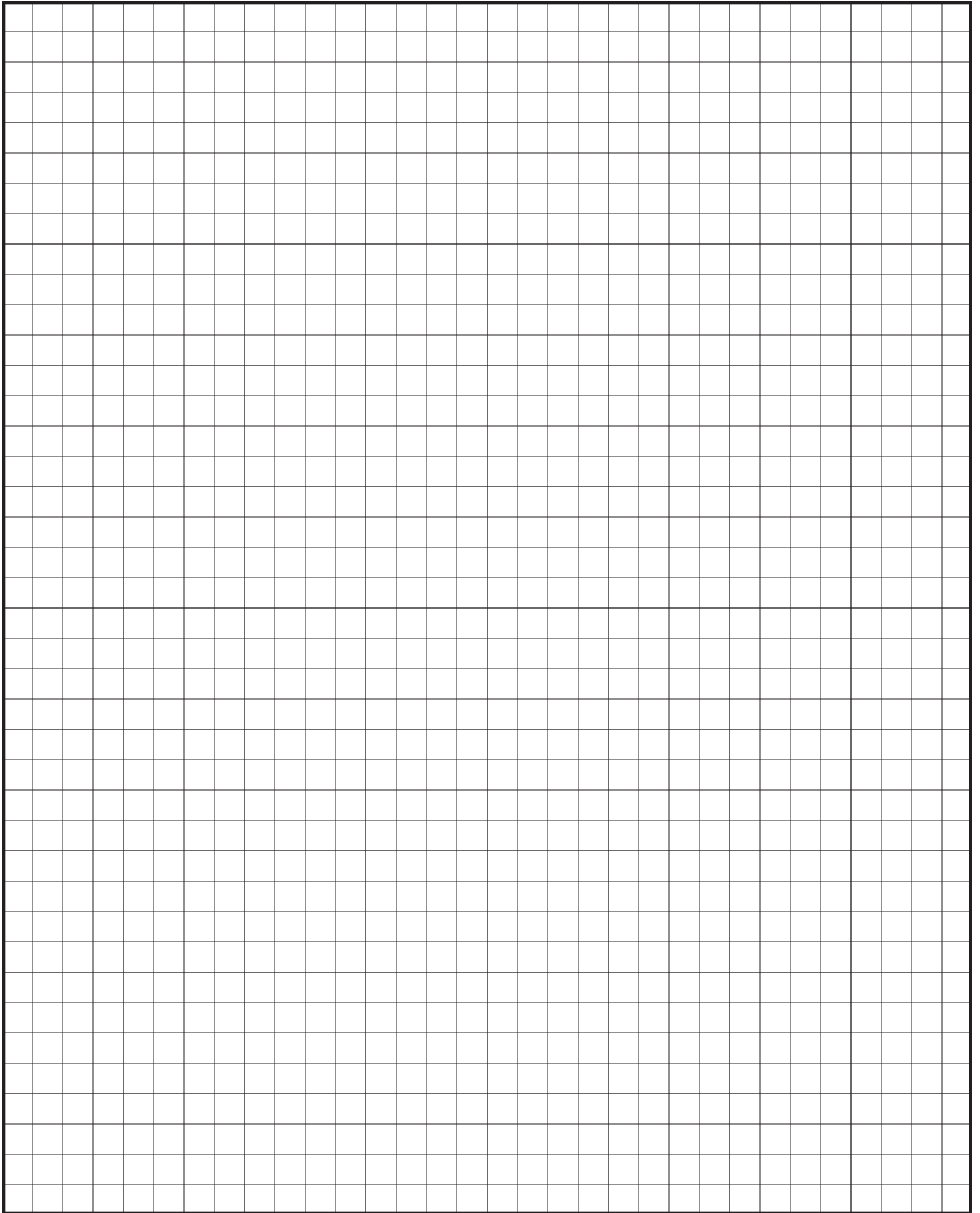
S.O. _____

Dwg #: _____ Pitch: _____ # of Pieces: _____

Description: _____

Hems: Open Closed Slightly Open







TAYLOR

METAL PRODUCTS

QUALITY PRODUCTS
EXCEPTIONAL SERVICE

SALEM BRANCH

4566 Ridge Dr. NE
Salem, OR 97301

Office: 503-581-8338
Toll Free: 1-800-574-1388
Fax: 503-581-6877

SACRAMENTO BRANCH

3443 Airport Rd,
Sacramento, CA 95834

Office: 916-318-8844
Toll Free: 1-800-574-1388
Fax: 916-993-4123

AUBURN BRANCH

2601 C St. SW
Auburn, WA 98001

Office: 206-900-9923
Toll Free: 1-800-574-1388
Fax: 253-804-3545

RIVERSIDE BRANCH

4880 Felspar St.
Riverside, CA 92509

Office: 323-407-7457
Toll Free: 1-877-504-1594

SPOKANE BRANCH

1010 N Nelson St
Spokane, WA 99202

Office: 509-535-8667
Toll Free: 800-238-4057
Fax: 509-535-8682